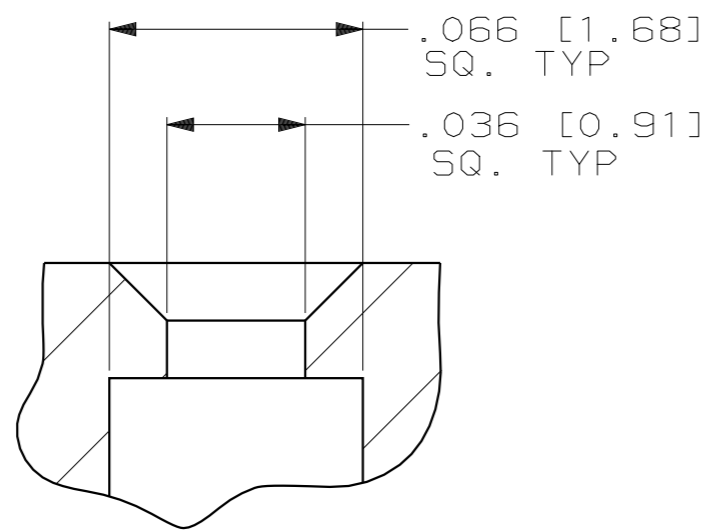
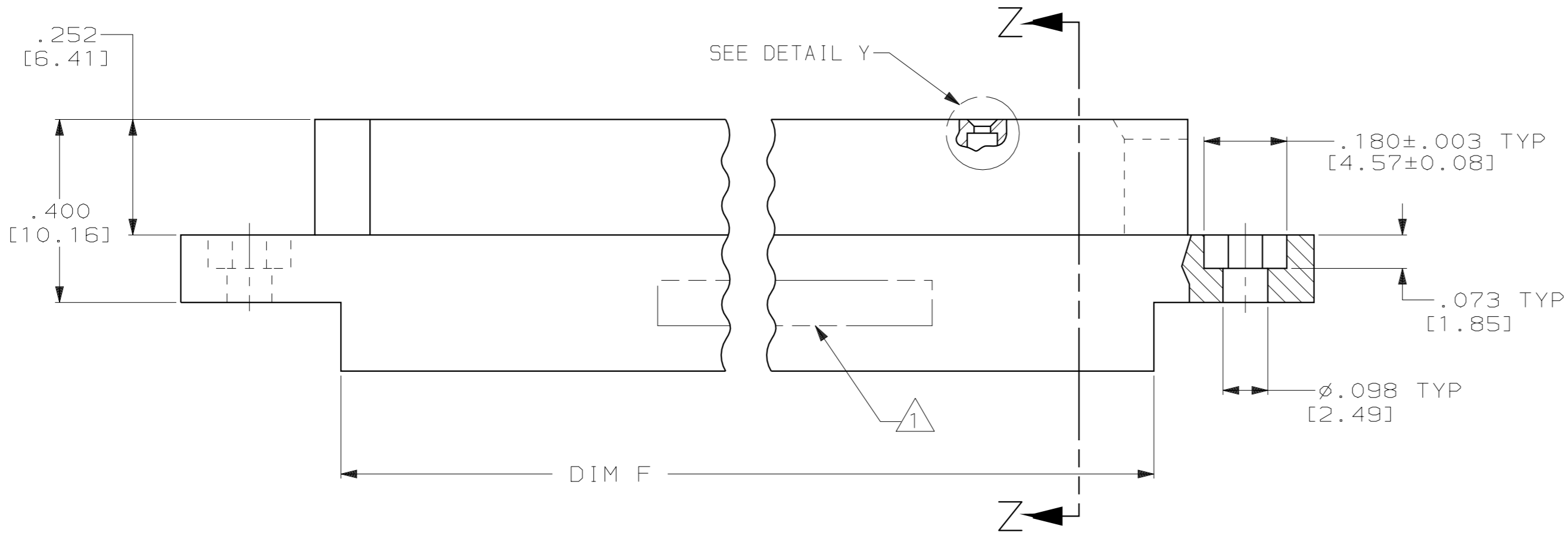
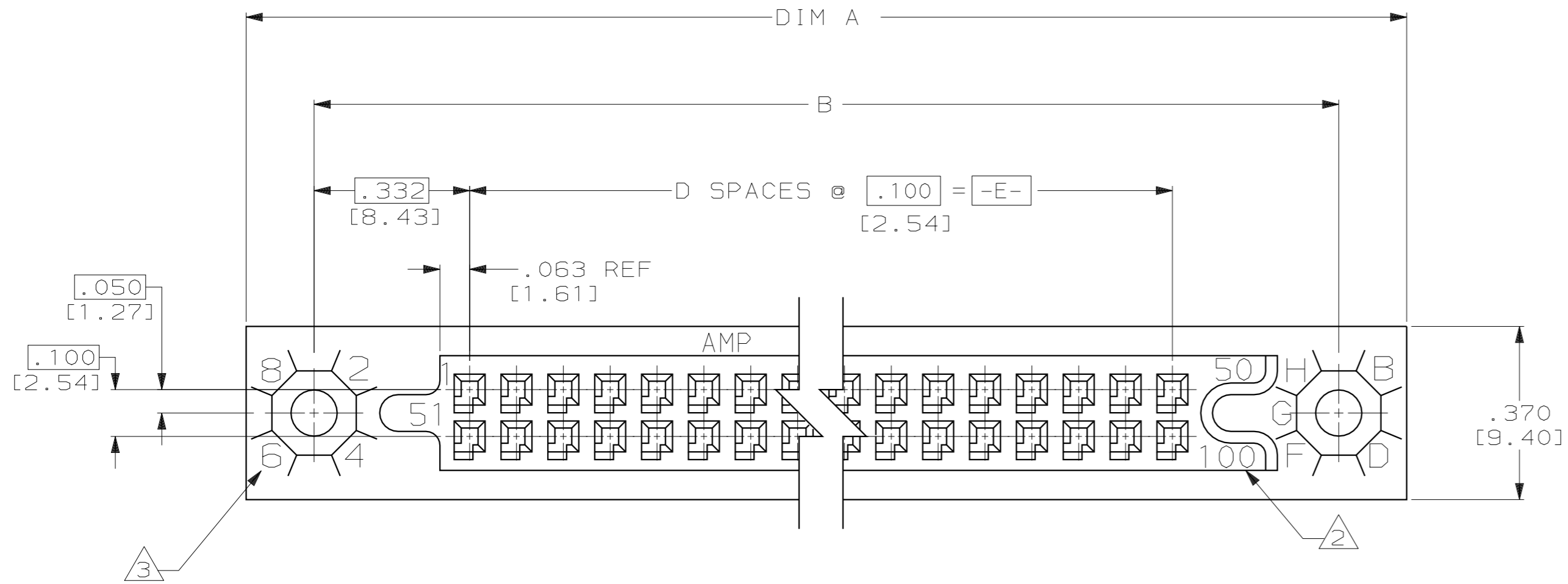
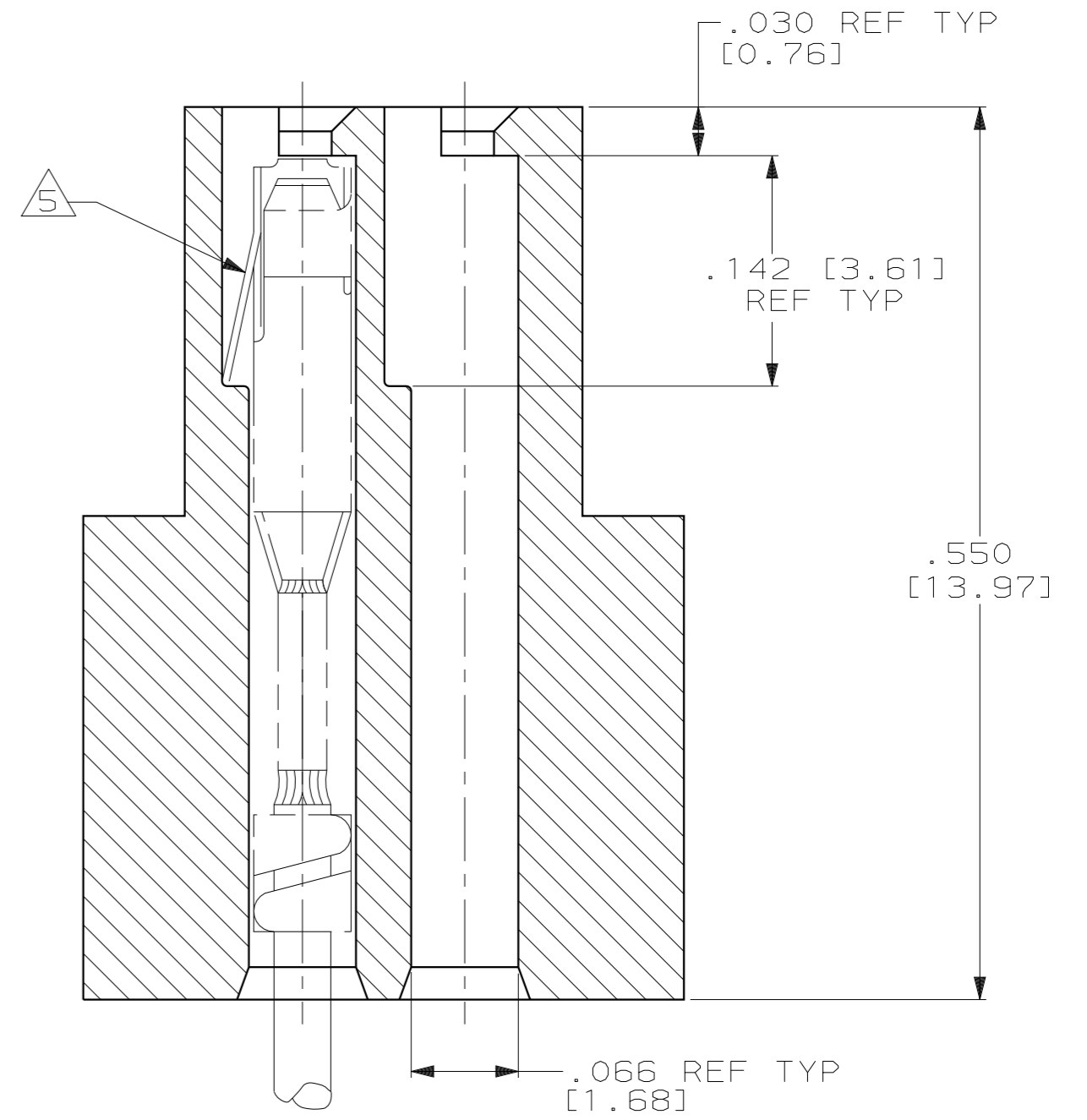


THIS DRAWING IS UNPUBLISHED. RELEASED FOR PUBLICATION
 BY AMP INCORPORATED. ALL RIGHTS RESERVED.

LOC		DIST		REVISIONS			
P	LTR	DESCRIPTION		DATE	DWN	APVD	
DF	FO	H	REV PER	OG3D-0556-03	4-04	CT	DM



DETAIL Y
SCALE 20:1



SECTION Z-Z
SCALE 10:1
ROTATED CW 90°

<small>THIS DRAWING IS A CONTROLLED DOCUMENT FOR AMP INCORPORATED. IT IS SUBJECT TO CHANGE AND THE CONTROLLING ENGINEERING ORGANIZATION SHOULD BE CONTACTED FOR THE LATEST REVISION.</small>		DWN T. ALEXANDER 10-20-94 CHK G. SCHAEFFER 1-23-95 APVD G. SCHAEFFER 1-23-95	AMP AMP Incorporated Harrisburg, PA 17105-3608
DIMENSIONS: INCHES [mm]	TOLERANCES UNLESS OTHERWISE SPECIFIED: 0 PLC ± 1 PLC ± 2 PLC ± 3 PLC ±.010 [0.25] 4 PLC ± ANGLES ±0°30' FINISH -	PRODUCT SPEC - APPLICATION SPEC - WEIGHT -	NAME RECEPTACLE HOUSING, BOX CONNECTOR, .100 C/L, FOR TANDEM SPRING SIZE A2 CAGE CODE 00779 DRAWING NO. C-531802
MATERIAL 4		CUSTOMER DRAWING	SCALE 4:1 SHEET 1 OF 2 REV H

531802

THIS DRAWING IS UNPUBLISHED. RELEASED FOR PUBLICATION, 19
 © COPYRIGHT 19 BY AMP INCORPORATED. ALL RIGHTS RESERVED.

LOC	DIST	REVISIONS					
DF	FO	P	LTR	DESCRIPTION	DATE	DWN	APVD
		-		SEE SHEET 1	-	-	-

- ① AMP, PART NUMBER AND DATE CODE INK STAMPED WHITE THIS SURFACE.
- ② NUMBERS MARKED ON MATING FACE. LINES INDICATING EVERY FIVE CAVITIES MARKED ON MATING FACE. (LINES OPTIONAL)
- ③ KEY POSITION IDENTIFICATIONS MOLDED ON SURFACE SHOWN.
- ④ HOUSING MATERIAL: GLASS FILLED POLYESTER PER AMP 100-457. COLOR: BLUE (26682-2)
- ⑤ CONTACT SHOWN FOR REFERENCE ONLY AND MUST BE PURCHASED SEPARATELY. PART NUMBER 531215 FOR #28 TO #32 AWG WITH .000050 GOLD INLAY, TIN-LEAD IN WIRE BARREL, PART NUMBER 531216 FOR #22 TO #26 AWG WITH SAME FINISH.

OBSOLETE

1 - 55	5.550 [140.97]	5.400 [137.16]	54	5.665 [143.89]	6.065 [154.05]	6.355 [161.42]	110	1-531802-7
56 - 110								
1 - 50	5.050 [128.27]	4.900 [124.46]	49	5.165 [131.19]	5.565 [141.35]	5.855 [148.72]	100	1-531802-5
51 - 100								
1 - 45	4.550 [115.57]	4.400 [111.76]	44	4.665 [118.49]	5.065 [128.65]	5.355 [136.02]	90	1-531802-3
46 - 90								
1 - 40	4.050 [102.87]	3.900 [99.06]	39	4.165 [105.79]	4.565 [115.95]	4.855 [123.32]	80	1-531802-1
41 - 80								
1 - 35	3.550 [90.17]	3.400 [86.36]	34	3.665 [93.09]	4.065 [103.25]	4.355 [110.62]	70	531802-9
36 - 70								
1 - 30	3.050 [77.47]	2.900 [73.66]	29	3.165 [80.39]	3.565 [90.55]	3.855 [97.92]	60	531802-7
31 - 60								
1 - 25	2.550 [64.77]	2.400 [60.96]	24	2.665 [67.69]	3.065 [77.85]	3.355 [85.22]	50	531802-5
26 - 50								
1 - 20	2.050 [52.07]	1.900 [48.26]	19	2.165 [54.99]	2.565 [65.15]	2.855 [72.52]	40	531802-3
21 - 40								
1 - 15	1.550 [39.37]	1.400 [35.56]	14	1.665 [42.29]	2.065 [52.45]	2.355 [59.82]	30	531802-1
16 - 30								
CAVITY IDENTIFICATION	F	E	D	C	B	A	NO OF POSN	PART NUMBER

<small>THIS DRAWING IS A CONTROLLED DOCUMENT FOR AMP INCORPORATED. IT IS SUBJECT TO CHANGE AND THE CONTROLLING ENGINEERING ORGANIZATION SHOULD BE CONTACTED FOR THE LATEST REVISION.</small>		DWN T. ALEXANDER 10-20-94 CHK G. SCHAEFFER 1-23-95 APVD G. SCHAEFFER 1-23-95	AMP AMP Incorporated Harrisburg, PA 17105-3608
DIMENSIONS: INCHES [mm]	TOLERANCES UNLESS OTHERWISE SPECIFIED: 0 PLC ± 1 PLC ± 2 PLC ± 3 PLC ±.010 [0.25] 4 PLC ± ANGLES ±0°30' FINISH -	PRODUCT SPEC - APPLICATION SPEC - WEIGHT -	NAME RECEPTACLE HOUSING, BOX CONNECTOR, .100 C/L, FOR TANDEM SPRING SIZE A2 CAGE CODE 00779 DRAWING NO C-531802 SCALE - SHEET 2 OF 2 REV H
MATERIAL ④	CUSTOMER DRAWING		